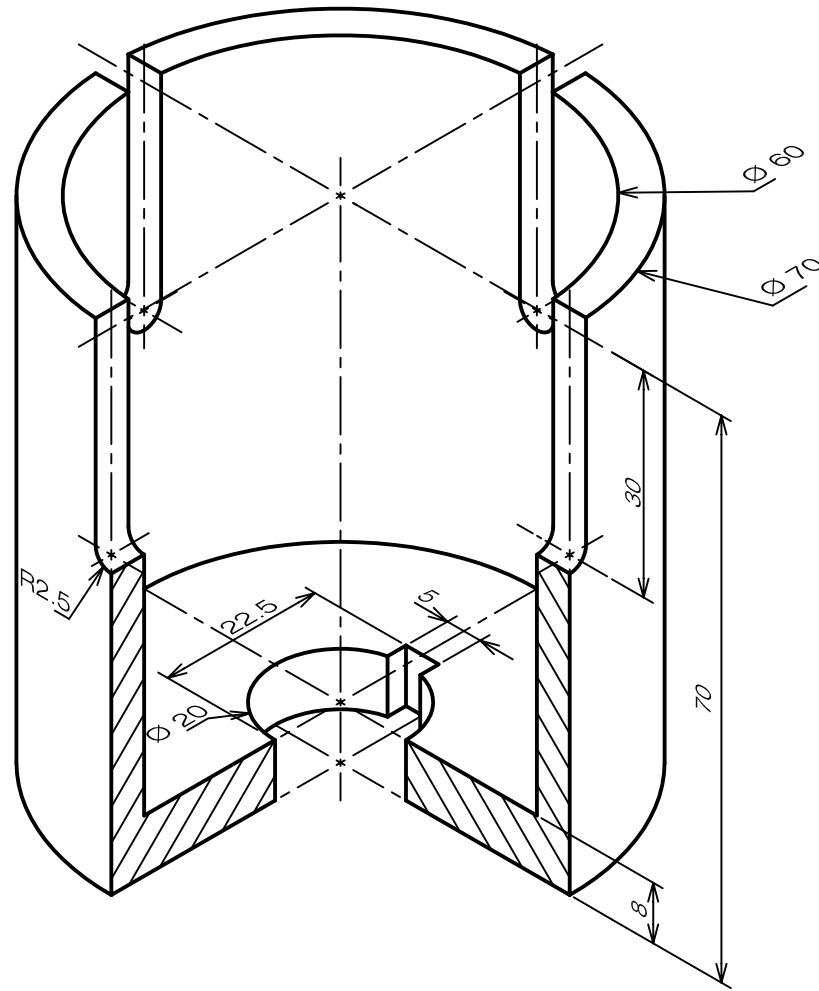


Draw all necessary views of the given part. Make one view in half section.

(Problem is adapted from "Technical drawing" by Goetsch et al.)



SCALE 1:1